

2790

Ordering Information

2790-A 1MΩ single-module system for low and high voltage/resistance applications

2790-H Single-module system for low and high voltage/resistance applications

2790-HH Two-module system for low and high voltage/resistance applications

2790-HL Two-module system for separating high and low voltage/resistance applications

2790-L Single-module system for low voltage/resistance-only programmable current applications

7702 40-channel Differential Multiplexer

Accessories Supplied

Reference and user manuals on CD-ROM, AC line power cord, mini flathead screwdriver.

ACCESSORIES AVAILABLE

MODULES

| | |
|------|---|
| 7702 | 40-channel General Purpose Multiplexer Module |
| 7751 | High Voltage Source/Switch Module |
| 7752 | Low Voltage, Current-Source-Only Source/Switch Module |
| 7753 | 1MΩ High Voltage Source/Switch Module (The Model 2790 supports only one Model 7753.) |

COMMUNICATION INTERFACES AND CABLES

| | |
|-------------|---|
| 7007-1 | Shielded IEEE-488 Cable, 1m (3.3 ft) |
| 7007-2 | Shielded IEEE-488 Cable, 2m (6.6 ft) |
| 7009-5 | Shielded RS-232 Cable |
| KPCI-488LPA | IEEE-488 Interface/Controller for the PCI Bus |
| KUSB-488B | IEEE-488 USB-to-GPIB Interface Adapter |

RACK MOUNT KITS

| | |
|------------|-------------------------------------|
| 4288-1, -2 | Single or Dual Fixed Rack Mount Kit |
|------------|-------------------------------------|

OTHER

| | |
|------|--|
| 8503 | Trigger Link Cable to 2 Male BNC Connector |
| 8681 | Miniature 4-Wire RTD, 100Ω |

SERVICES AVAILABLE

| | |
|-----------------|---|
| 2790-3Y-EW | 1-year factory warranty extended to 3 years from date of shipment |
| 2790-A-3Y-EW | 1-year factory warranty extended to 3 years from date of shipment |
| 2790-L-3Y-EW | 1-year factory warranty extended to 3 years from date of shipment |
| C/2790-3Y-ISO | 3 (ISO-17025 accredited) calibrations within 3 years of purchase for Models 2790, 2790-L* |
| C/2790-A-3Y-ISO | 3 (ISO-17025 accredited) calibrations within 3 years of purchase for Model 2790-A* |

*Not available in all countries

SourceMeter® Airbag Test System

Match the System Configuration to the Application

The Model 2790 is available in a variety of configurations to match specific application requirements:

- The **Model 2790-H** is a single-module system designed for both low current and high voltage ohms (10MΩ to 1GΩ) applications. This “base” system provides all the capabilities needed for electrical testing of either single- or dual-stage inflators in single position test stands (for example, test stands that test only one single- or dual-stage airbag at a time).
- The **Model 2790-A**, which is similar to the Model 2790-H, enables high voltage ohms measurements down to 1MΩ.
- The **Model 2790-HH** is configured for applications that require parallel testing or high voltage “soaking.” Like the Model 2790-H, it is designed for both low current and high voltage ohms applications and can test either single- or dual-stage inflators. However, with two plug-in modules, it also has the capacity to test two inflators at once, maximizing test throughput.
- The **Model 2790-HL** is designed for applications where it is preferable to segregate high voltage sourcing/ohms measurement and low current sourcing/ohms measurement into two separate modules. This design was developed for use in combination testing applications, such as inflator electrical checks of safety steering wheel or seat assemblies that also include switch or other ancillary device tests.
- The **Model 2790-L** is configured for low voltage source/ohms-only measurement applications, such as continuity-only testing of side/seat airbags and seatbelt pre-tensioners or other programmable I-source resistance applications in which high voltage resistance testing is not required but precise control of source current is.
- With the addition of a Model 7702 40-channel differential multiplexer module (part of the Integra family of switch/measure solutions), the **Model 2790-A, -H, or -L + Model 7702** opens the door to higher channel count applications, such as hi-pot/continuity testing of connectors, harnesses, and power distribution devices up to 500V (internally sourced) up to 40 channels.

Broad Range of Measurement Capabilities

The Model 2790’s built-in DMM can make a wide variety of general purpose measurements:

- DC voltage measurements from 0.1μV to 1000V
- AC voltage measurements from 0.1μV to 750V
- DC current measurements from 10nA to 3A
- AC current measurements from 1μA to 3A
- 2-wire resistance measurements from 100μΩ to 120MΩ
- 4-wire resistance measurements from 100μΩ to 120MΩ
- Frequency measurements from 3Hz to 500kHz
- Period measurements from 333ms to 2μs
- Temperature measurements from -200°C to 630°C (thermistors and 4-wire RTDs)

Additional features of the Model 2790 mainframe include:

- Setup storage—Up to four instrument setups can be saved and recalled.
- Offset-compensated ohms—A two-measurement process for 4-wire ohms to cancel the effects of thermoelectric EMFs. Available for the 100Ω, 1kΩ, and 10kΩ ranges.
- Math—m/X+b, mX+b, percent, and four special math functions provide convenient manipulation of raw readings.
- Relative—Null offsets establish baseline values.
- Ratio and channel average—Ratio and average calculations for two switching module channels (7702).
- Buffer—Store up to 55,000 readings in the internal buffer.
- Limits—Two sets of high and low reading limits to test devices.
- Digital I/O port—Five digital limit test output lines to control external circuitry. An external trigger input can also be accessed at this port.
- Trigger Link—Separate connector with input and output signals.
- Monitor—The Model 2790 can monitor a selected channel. A scan can be triggered to start when the monitor detects that a reading limit has been reached (7702).
- Remote interface—Model 2790 can be controlled using the IEEE-488 interface (GPIB) or the RS-232 interface.

1.888.KEITHLEY (U.S. only)

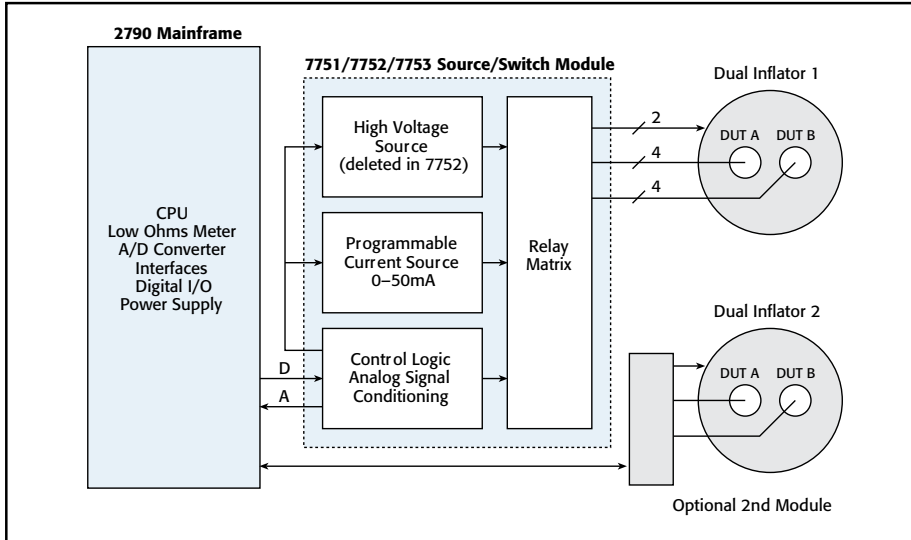
www.keithley.com

2790

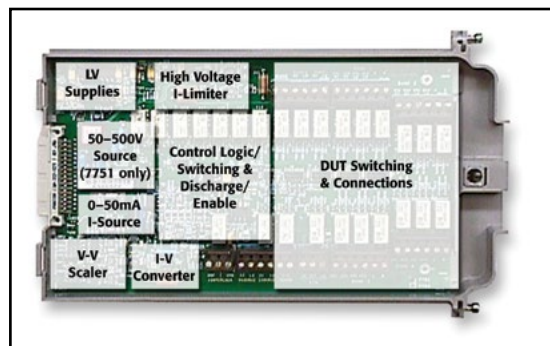
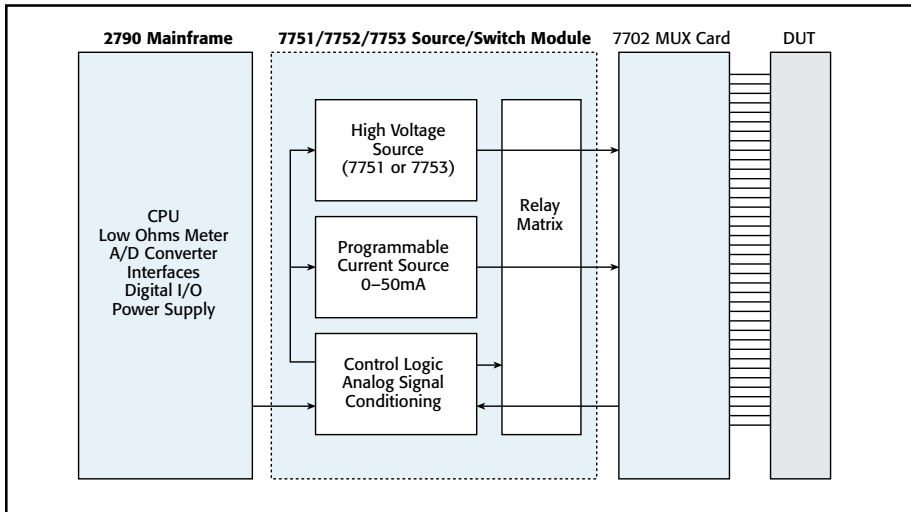
SourceMeter® Airbag Test System

Multichannel resistance measurements for airbag inflator, harness, and connector testing

Example Application – Dual Stage Airbag Inflator Testing—One or Two



Example Application – 40-channel Wiring Harness Testing



Three source/switch plug-in modules provide the Model 2790 with programmable high voltage and low current sources, connection switching, and signal conditioning circuitry.

Model 2790 Benefits

- **High functional integration**—Sourcing, measurement, and signal routing functions are tightly integrated in one compact enclosure. This high level of integration helps system integrators save rack space, minimize the time needed for system configuration and maintenance, and improve test throughput without sacrificing system accuracy.
- **Enhanced device protection**—Compared to higher powered alternatives, the Model 2790's inherently lower power sources minimize the possibility of damaging sensitive devices under test through accidental overpowering. Automatic cold switching and active cable discharge circuitry reduce the chances for device damage still further, while the high precision DMM and A/D converter ensure high resolution and measurement accuracy.
- **Reliability**—The design of the Model 2790 is based on a proven Keithley technology platform. With a two-year calibration cycle for the module functions, it requires minimal maintenance over the life of the production test line. Its modular mainframe and plug-ins architecture makes module verification and calibration fast and convenient, simply by exchanging modules.
- **Value**—In addition to being a complete solution for airbag inflator testing and related applications, the Model 2790's fully functional, 6½-digit DMM supports a wide variety of general purpose DC and AC measurements.

Mainframe Specifications

Refer to the Model 2700 specifications on page 269.

Key Module Specifications*

Refer to module specifications on page 273.

SYSTEM THROUGHPUT

HIGH OHMS: 13 rdgs/s.

LOW OHMS: 9 rdgs/s.

* The Model 7751, 7752, and 7753 plug-in modules have a two-year calibration interval; mainframe-only functions have a one-year calibration interval (max). System warranty period is one year.

1.888.KEITHLEY (U.S. only)

www.keithley.com

KEITHLEY

A Greater Measure of Confidence

A Tektronix Company

DIGITAL MULTIMETERS & SYSTEMS

7751/7752/7753 SOURCE/SWITCH MODULE SPECIFICATIONS

2790 RESISTANCE MODE SPECIFICATIONS WITH CARDS ^{2, 3}

(Module function accuracy specifications are for 2 years, 23°C, ±5°C.)

| Source Current | Maximum Resistance | Typical Open Circuit Voltage | Accuracy (4W) ±(%rdg.+ohms) | Temperature Coefficient (0–18°C & 28–40°C) ±(%rdg.+ohms)/°C |
|--|--------------------|------------------------------|-----------------------------|---|
| 50 mA | 20 | 5.5 V | 0.09% + 2 m | 0.002% + 3 m |
| 20 mA | 50 | 5.5 V | 0.11% + 5 m | 0.003% + 3 m |
| 10 mA | 100 | 5.5 V | 0.16% + 10 m | 0.004% + 3 m |
| (Dry Circuit Ohms 1mA max. with 7751, 7752, or 7753 card) | | | | |
| 1 mA | 10 | 20 mV | 1.10% + 50 m | (0.026% + 3 m)/°C |

(7751 Only)

| Source Voltage | Resistance Range | Maximum Short Circuit Current | Accuracy ±(% rdg.) | Temperature Coefficient (0–18°C & 28–40°C) ±(%rdg.)/°C |
|----------------|------------------|-------------------------------|--------------------|--|
| 500 V | 10 M | <1 mA | 0.8% | 0.03% |
| 500 V | 100 M | <1 mA | 1.1% | 0.05% |
| 500 V | 1 G | <1 mA | 4.0% | 0.12% |
| 50 V | 1 M | <1 mA | 1.1% | 0.04% |
| 50 V | 10 M | <1 mA | 1.1% | 0.06% |
| 50 V | 100 M | <1 mA | 1.6% | 0.13% |

(7753 Only)

| Source Voltage | Resistance Range | Maximum Short Circuit Current | Accuracy ±(% rdg.) | Temperature Coefficient (0–18°C & 28–40°C) ±(%rdg.)/°C |
|----------------|------------------|-------------------------------|--------------------|--|
| 500 V | 1 M | <1 mA | 0.8% | 0.02% |
| 500 V | 10 M | <1 mA | 0.9% | 0.03% |
| 500 V | 100 M | <1 mA | 1.3% | 0.10% |
| 500 V | 1 G | <1 mA | 6.7% | 0.27% |
| 50 V | 0.1 M | <1 mA | 1.1% | 0.03% |
| 50 V | 1 M | <1 mA | 1.1% | 0.04% |
| 50 V | 10 M | <1 mA | 1.3% | 0.11% |
| 50 V | 100 M | <1 mA | 4.5% | 0.30% |

CURRENT SOURCE OUTPUT

OUTPUT LEVEL: Programmable 0 to 50mA (Ch. 27).

PROGRAMMING RESOLUTION: 10µA.

OUTPUT VOLTAGE: 5.5V ±10% compliance.

ACCURACY: ±(0.06% + 10µA) (2 year specification).

SETTLING TIME: 1ms to 0.1% of final value (typ).

TEMPERATURE COEFFICIENT (0–18°C & 28–40°C): ±(0.001% + 0.25µA)/°C.

DRY CIRCUIT CLAMP (Ch. 24): 20mV ±10%, I_{source} ≤1mA.

VOLTAGE SOURCE OUTPUT (7751/7753 Only)

OUTPUT LEVEL: Programmable 50V to 500V (Ch. 28).

PROGRAMMING RESOLUTION: 100mV.

OUTPUT CURRENT: (7751) 50µA maximum for rated accuracy, <1mA typical into short circuit.
(7753) 500µA maximum for rated accuracy, <1mA typical into short circuit.

ACCURACY: ±(0.5% + 0.13V) (2 year specification).

SETTLING TIME: Rise Time: 50V to 500V step, 0.1% of final value, 250ms max.
Fall Time: 500V to 50V step, 0.1% of final value, 1000ms max.

TEMPERATURE COEFFICIENT (0–18°C & 28–40°C): ±(0.001% + 0.005V)/°C

SAFETY LIMIT: Current limited maximum current of 1mA.

CABLE DISCHARGE (Ch. 20): 100kΩ shunt.

MAXIMUM CAPACITANCE: 1nF.

CURRENT MEASURE INPUT (7751/7753 Only)

RANGE: 7751: 0–50µA. 7753: 0–500µA.

ACCURACY: 7751: ±(0.5% of reading + 6nA) (2 year specification).

7753: ±(0.5% of reading + 60nA) (2 year specification).

TEMPERATURE COEFFICIENT (0–18°C & 28–40°C): ±(0.02%+0.5nA)/°C.

VOLTAGE BURDEN: <1mV.

SWITCHING CAPABILITIES (Bank 1–Bank 4)

4 CHANNELS: 1 Form A switch.

8 CHANNELS: Four 4-pole or eight 2-pole signals into DMM or I/V converter.

CONTACT CHECK: 4-wire contact check through internal DMM.

RELAY TYPE: Latching electromechanical.

ACTUATION TIME: <3ms.

CONTACT LIFE (typical): >10⁶ operations at maximum source level.
>10⁸ operations cold switching.

CONTACT RESISTANCE: <1Ω at end of contact life.

CONTACT POTENTIAL: <±2µV typical per contact pair, ±3µV max.

CONNECTOR TYPE: Plugable screw terminal, #22 AWG wire size.

ISOLATION BETWEEN ANY TWO TERMINALS¹: >1GΩ, <100pF.

ISOLATION BETWEEN TERMINALS AND EARTH¹: >1GΩ, <200pF.

ISOLATION BETWEEN CHANNEL GROUPS¹: >500GΩ, <100pF.

EXTERNAL COMMON MODE VOLTAGE: 42V between any terminal and chassis. (Connect no external sources.)

7751, 7752, OR 7753 MODULE NOTES

- 1 Isolation for channels 1–12, only one channel closed at a time, or all channels open.
- 2 See User's Manual for ohm specifications at sources other than those specified.
- 3 All specifications valid for 1 NPLC ADC aperture setting.

SYSTEM THROUGHPUT

(Connect, source, measure, calculate)

0.01 NPLC, FILTER OFF, OVER GPIB BUS: High Ohms (Source V): 13 rdgs/s.
Low Ohms (Source I): 9 rdgs/s.

1 NPLC, FILTER ON, OVER GPIB BUS: High Ohms (Source V): 11 rdgs/s.
Low Ohms (Source I): 7 rdgs/s.

SYSTEM THROUGHPUT NOTES

1. Reset upon fixed V_{source} level, no settling time.

BASIC AIRBAG TEST SEQUENCE THROUGHPUT

(Body Pin + Bridgewire Continuity = Shorting Clip + Insulation Resistance)

0.55/0.97 seconds for single/dual stage DUT w/scan (sequential) memory patterns.

1.0/2.0 seconds for single/dual stage DUT w/recall (random access) memory patterns.

1.1/1.7 seconds for single/dual stage DUT discrete control w/GPIB I/O.

(Sequence times are totals @ 1 line cycle integration for rated accuracy.)



Servicios de Calibración y Metrología, S.A. de C.V.
Av. de la esperanza #916, Col. La Hacienda Apodaca, N.L. 66636
Tel: (81) 11600085, (81)86614542, email: webmaster@scmmx.com

1.888.KEITHLEY (U.S. only)

www.keithley.com

A Greater Measure of Confidence

KEITHLEY

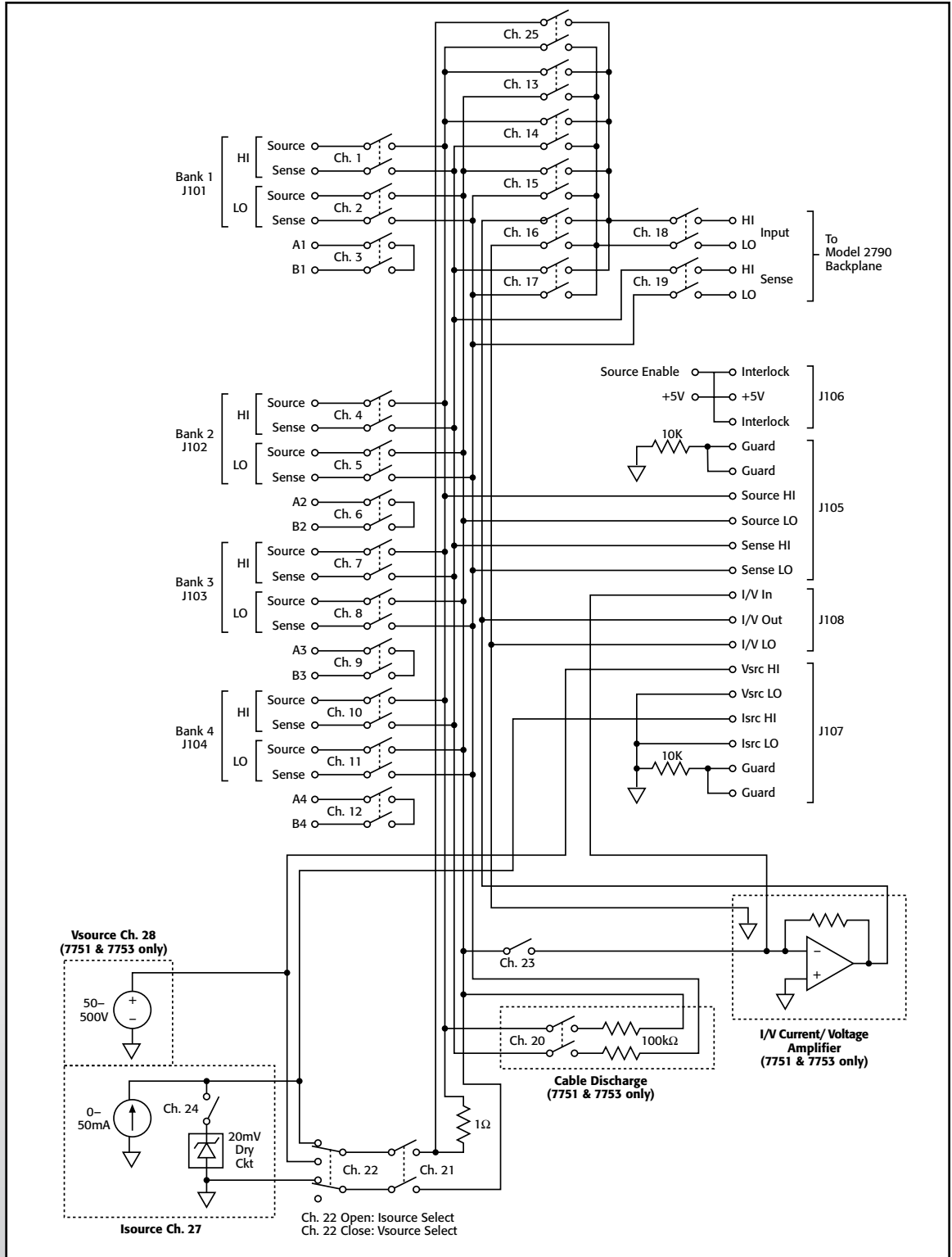
A Tektronix Company

2790

SourceMeter® Airbag Test System

Model 7751/7752/7753 specifications

DIGITAL MULTIMETERS & SYSTEMS



1.888.KEITHLEY (U.S. only)

www.keithley.com

KEITHLEY

A Greater Measure of Confidence

A Tektronix Company